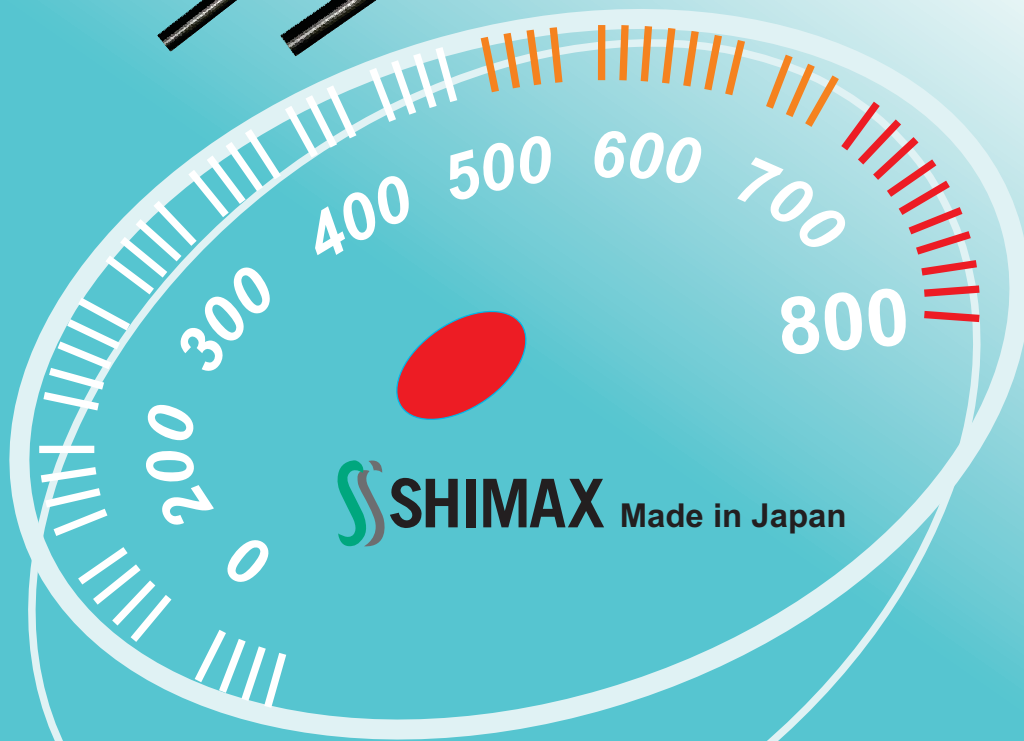


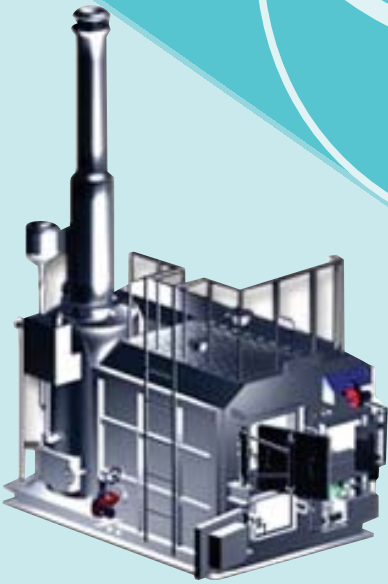
SHIMAX



SHIMAX Made in Japan

Temperature Sensors

- High reliability sensor with reasonable price.
- Made from high quality sensing element.
- Excellent stability and high accuracy.
- Suitable for corrosive medium at high temperature.

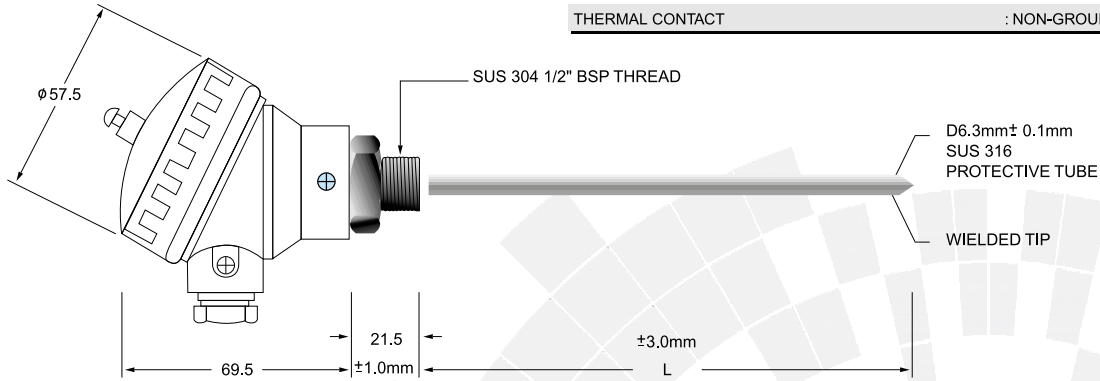


VP63C-PT □ C 316 SUS

10 15 20 30

SPECIFICATION

TYPE OF ELEMENT	: DIN PT100Ω
CLASS	: B
INSULATION FOR INNERLEAD WIRE	: CERAMIC
TERMINAL HEAD MATERIAL	: ALUMINIUM DIECAST
PROTECTIVE TUBING MATERIAL	: SUS316 (AISI-316L)(SEAMLESS PIPE)
MEASUREMENT RANGE	: 0°C TO 400°C
AMBIENT TEMPERATURE FOR TERMINAL HEAD	: 0°C TO 80°C
TYPE OF CONDUCTOR	: 3 CONDUCTOR SYSTEM
THERMAL CONTACT	: NON-GROUNDED TYPE



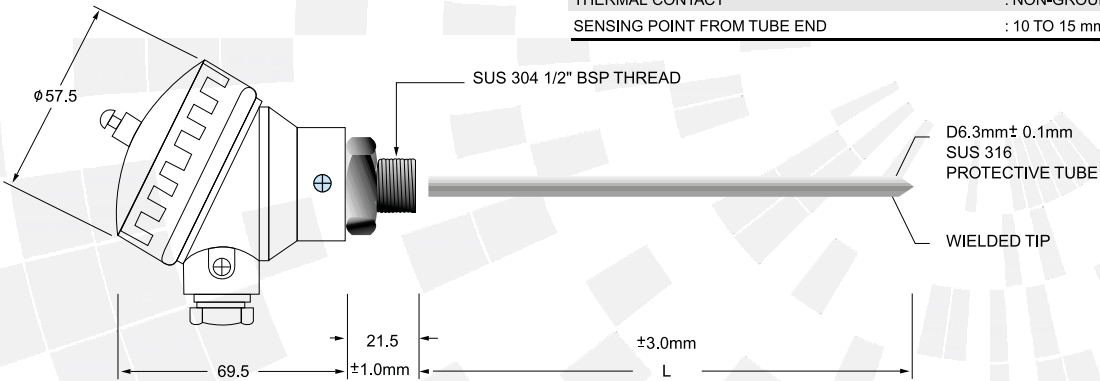
unit (mm)	
D	L
6.3	100
6.3	150
6.3	200
6.3	300

VP63C-CA □ C 316 SUS

10 15 20 30

SPECIFICATION

TYPE OF ELEMENT	: K-TYPE, CHROMEL (+ve) ALUMEL (-ve) (JISC 1602)
CLASS	: 0.75
ELEMENT SIZE	: 1 mm
INSULATION FOR INNERLEAD WIRE	: CERAMIC
TERMINAL HEAD MATERIAL	: ALUMINIUM DIECAST
PROTECTIVE TUBING MATERIAL	: SUS316 (AISI-316L)(SEAMLESS PIPE)
MEASUREMENT RANGE	: 0°C TO 900°C
AMBIENT TEMPERATURE FOR TERMINAL HEAD	: 0°C TO 80°C
THERMAL CONTACT	: NON-GROUNDED TYPE
SENSING POINT FROM TUBE END	: 10 TO 15 mm



unit (mm)	
D	L
6.3	100
6.3	150
6.3	200
6.3	300

